



- *Temperature Compensated Crystal Oscillator*
- *Ultra Miniature Package*
- *Good Frequency Stability*
- *Good Phase Noise Response*

XTC7002

**30.00 MHz
TCXO**



Electrical Characteristics

Characteristic	Sym	Notes	Minimum	Typical	Maximum	Units
Nominal Frequency	F _O			30.00		MHz
Storage Temperature Range			-40		+85	°C
Operating Temperature Range			-30		+85	°C
Power Supply Voltage, V _{dd}				2.8		V
Out Voltage with Load 10pF//10KΩ, V _{out}			0.8			Vp-p
Output Waveform			Clipped Sinewave			
Power Supply Current, I _{cc}					2.0	mA
DC Terminal Input Impedance			100K			Ohms
Frequency Tolerance after Two Reflows			±2ppm max @ 25°C ±3°C			
Frequency Stability	a. Vs. Temperature (-30~85°C) b. Vs. Load varied 10pF//10KΩ±10%) c. Vs. Supply Voltage varied 2.8±5%			±2		ppm
				±0.2		ppm
				±0.2		ppm
Start Up Time (90% of Final RF level in Vp-p)					2.0	msec
Harmonics					-5.0	dBc
Lid Symbolization (in addition to Lot and/or Date Codes)	Line1: 7002 Line2: YWWS					



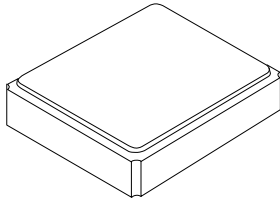
CAUTION: Electrostatic Sensitive Device. Observe precautions for handling.

Notes:

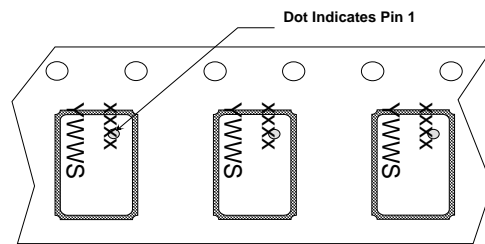
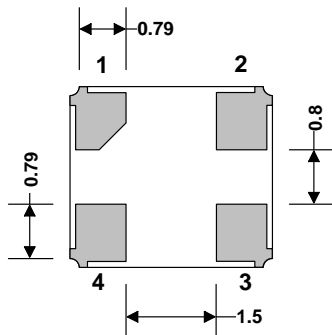
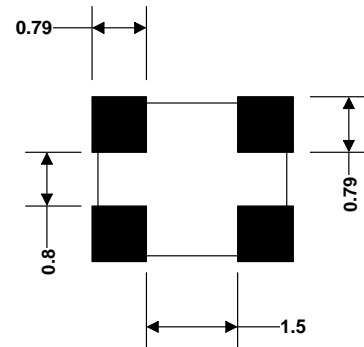
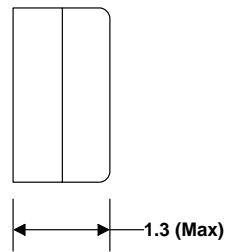
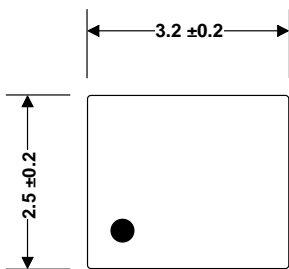
1. The design, manufacturing process, and specifications of this device are subject to change without notice.

SM3225-4 Case

4-Terminal Surface-Mount Seam Weld Case 3.2 x 2.5 mm Nominal Footprint



Pin	Connection
1	NC /GND
2	GND/Case GND
3	Fout
4	Vdd



Package Orientation in Carrier Tape