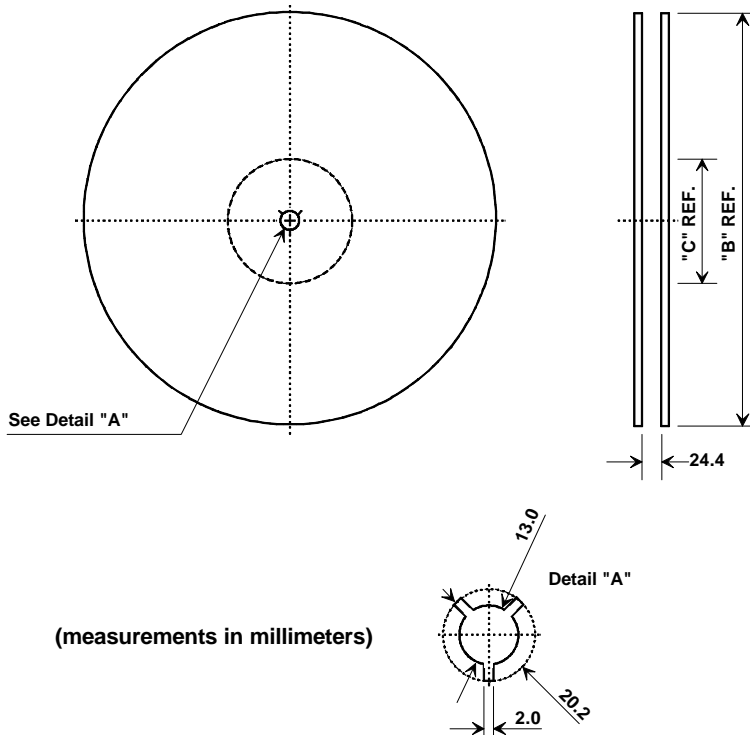


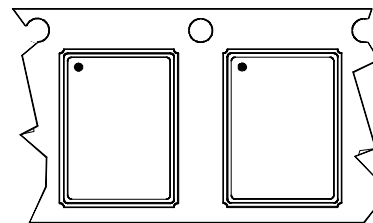
# TR/TX/RX Universal Tape & Reel Specs



(measurements in millimeters)

## SM20H & SM20L Cases

Reel Size			Quantity Per Reel
"B" Nominal		"C" Nominal	
7 Inch	178 mm	60 mm	250
13 Inch	330 mm	100 mm	1500



Orientation in Tape Carrier as Shipped

## SM20H Dimensions (devices greater than 500 MHz)

Carrier Tape Dimensions (mm)		Cover Tape
<b>Ao</b>	.282 ± .004 (7.2)	21.3 mm
<b>Bo</b>	.413 ± .004 (10.5)	
<b>Ko</b>	.081 ± .004 (2.05)	
<b>P</b>	12 mm	
<b>W</b>	24 mm	
<b>Part Type</b>	TR1000, TX6000, RX6000 Series	

## SM20L Dimensions (devices less than 500 MHz)

Carrier Tape Dimensions (mm)		Cover Tape
<b>Ao</b>	.390 ± .004 (9.91)	21.3 mm
<b>Bo</b>	.440 ± .004 (11.18)	
<b>Ko</b>	.080 ± .004 (2.03)	
<b>P</b>	12 mm	
<b>W</b>	24 mm	
<b>Part Type</b>	TR3000, TX5000, RX5000 Series	

